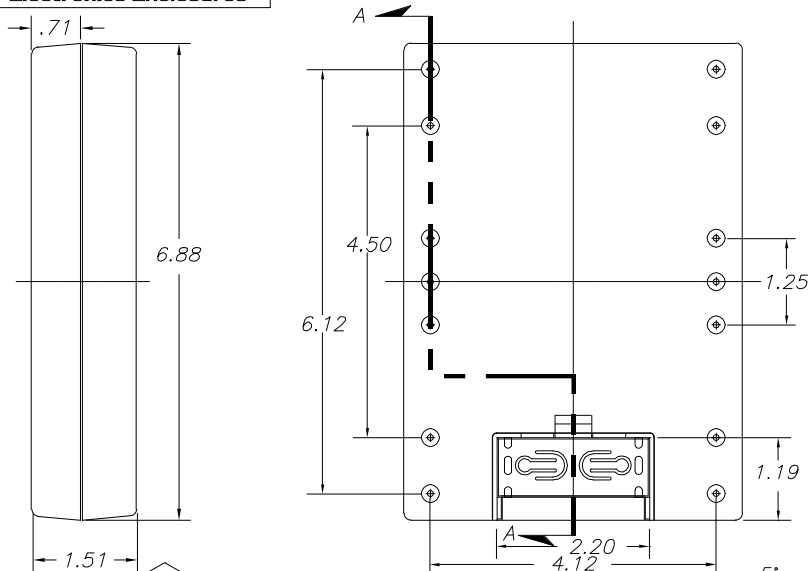
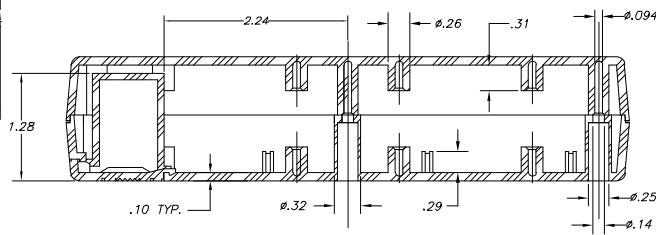
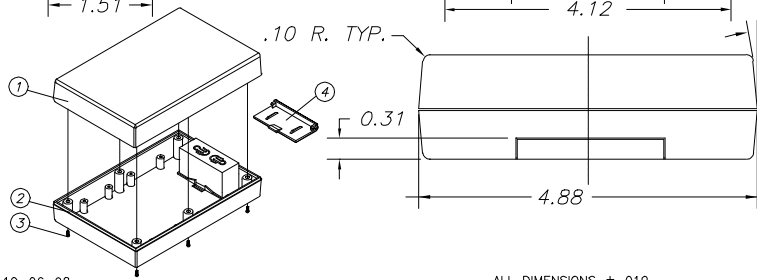
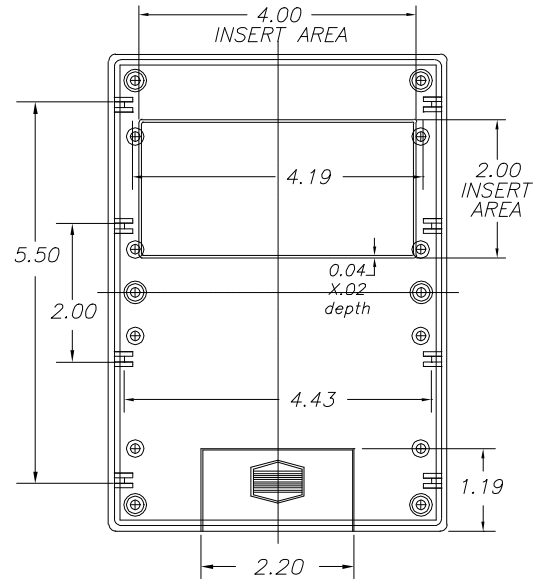


SERPAC 271

Electronics Enclosures



NOTES:
 1. WHEN MACHINE OR I PLATES MODIFICATIONS ARE REQUIRED, USE THE CENTER OF THE BOX TO DIMENSION.



10-06-98 ALL DIMENSIONS ± .010

ITEM	PART NO.	DESCRIPTION	ACCESSORIES	
1	71	PLASTIC TOP	PART NO.	DESCRIPTION
2	27	PLASTIC BOTTOM	50	FEET
3	1025	PLASTIC BATTERY COVER	379	PROTOTYPE GRID BOARD (HORIZ.)
4	6005	SCREWS (6)	479	PROTOTYPE CLAD BOARD (HORIZ.)
			371	PROTOTYPE GRID BOARD (VERT.)
			471	PROTOTYPE CLAD BOARD (VERT.)

SECTION A-A